



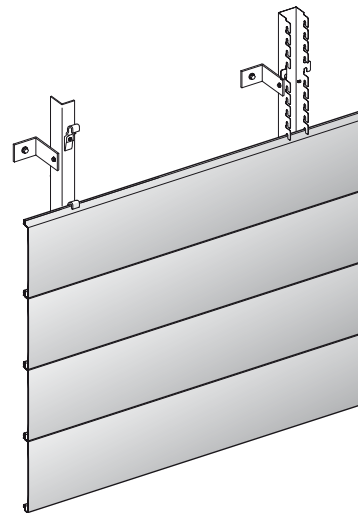
Project : Renault Car Showroom  
Location : Warsaw, Poland  
Product : HunterDouglas® Façades: type Multi Panel Façade 600U  
Quantity : 750 m<sup>2</sup>  
Architect : Apar- Projekt

**HunterDouglas**

FAÇADES

## PRODUCT INFORMATION:

## HunterDouglas Façades: type Multiple Panel



### SYSTEM OVERVIEW MULTIPLE PANEL FAÇADE

- Façade and exterior ceiling application
- Horizontal and vertical panel orientation
- Curved and shaped panels
- Outstanding corrosion, scratch and UV resistant Luxacote® finish
- Roll formed tongue-in-groove system
- Unique and secure mounting system
- Integrated support structure
- Different joint solutions

### MOUNTING TYPES MULTIPLE PANEL FAÇADE



### Renault Car Showroom

Theme: Flat and smooth

HunterDouglas Multiple Panel Façade system 600U has been chosen due to complete and reliable system solution for façade cladding at reasonable price. Cranked corners precisely intergrated with the system makes the overall pleasant appearance of the façade.

Durable Luxacote® coating and easy to maintain surface treatment assures the perfect appearance of the façade even in the very white colour selected by the investor.